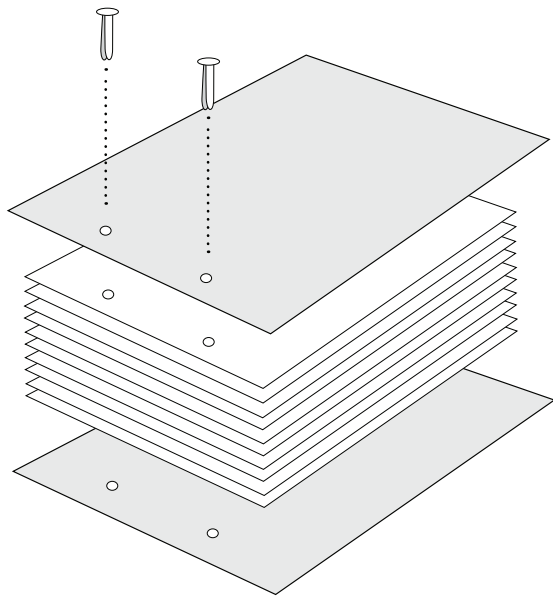
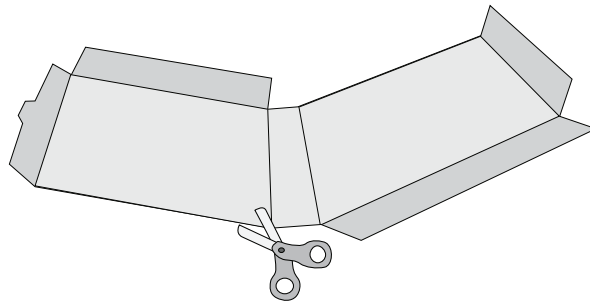


A Simple Sketchbook

The artist Edgar Degas kept a sketchbook where he drew his favorite subjects, including friends, dancers, and opera fans. Make your own sketchbook and fill its pages with sketches of your favorite things.

Materials

- Paper
- Recycled cereal box
- Scissors
- Hole punches and brads



Steps

1. Stack ten sheets of 8½ x 11 inch paper in landscape orientation.
2. Cut down a recycled cereal box to make a 9 x 12 inch front and back cover.
3. Put the stack of paper between the front and back covers and line up on the left side.
4. Punch two holes along the left margin.
5. Insert brads and fasten the sketchbook together.

